

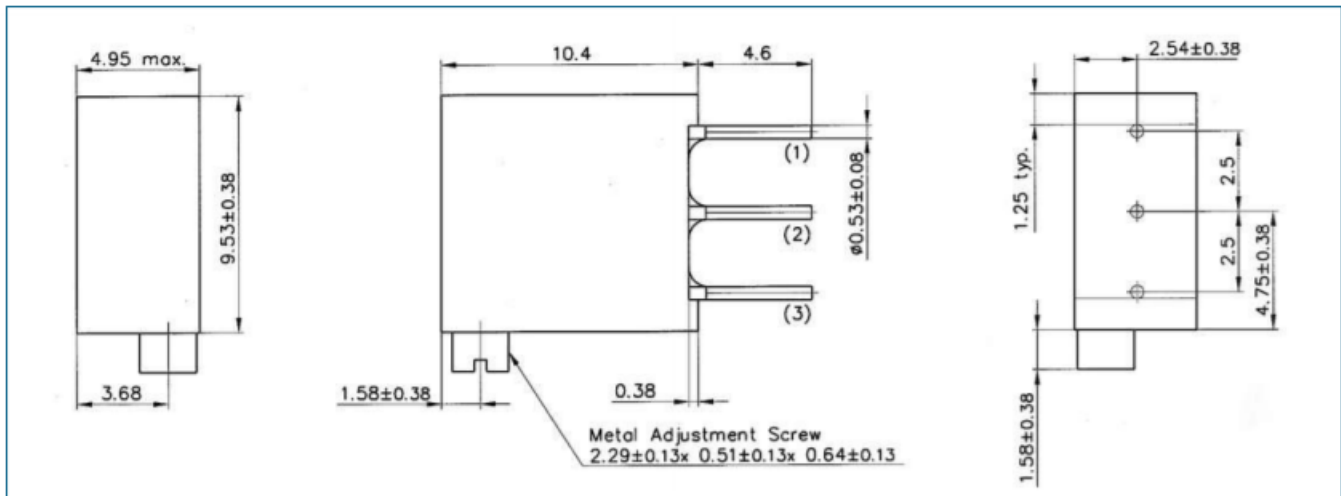
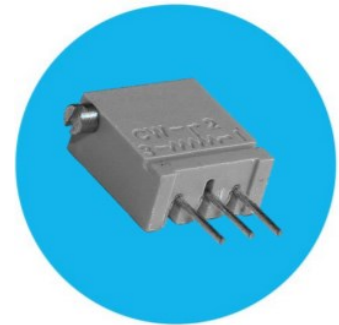
# Multi-Turn Trimmer

## Series 944



### Features:

- Cermet
- Encased
- 20 spindle turns
- Ordering code number: 20 944 ...



### Technical data

<b>Rated resistance range</b>	10 Ω - 2 MΩ	<b>Insulation resistance</b>	1 GΩ
<b>Resistance tolerance</b>	± 10 % (< 100 Ω = ± 20 %)	<b>Temperature range</b>	-55 °C to +125 °C
<b>Law (resistance taper)</b>	lin	<b>Temperature coefficient</b>	± 100 ppm / °C (< 100 Ω = ± 250 ppm / °C)
<b>Rated dissipation</b>	0.5 W / 85 °C (derating to 0 W / 125 °C)	<b>Electrical travel</b>	20 spindle turns
<b>Limiting element voltage</b>	200 V ~	<b>Starting torque</b>	max. 3.5 Ncm
<b>Durability</b>	200 cycles		

#### General Note

TT Electronics reserves the right to make changes in product specification without notice or liability. All information is subject to TT Electronics' own data and is considered accurate at time of going to print.

TT Electronics | AB Elektronik Sachsen GmbH  
Salzstraße 3, 01774 Klingenberg, Germany | Ph: +49 35202 5730  
www.ttelectronics.com | info@abelektronik.de