

INTERCHANGEABLE WALL PLUG POWER SUPPLY 5VDC 5WATT



STONTRONICS: T5866ST

Features:

- Interchangeable AC Heads
- 1 Year Warranty
- Level VI Efficiency
- Worldwide Approvals



Description:

Our range of 5 Watt Interchangeable wall plug power supplies provide 5 Watts of continuous power with the flexibility of worldwide usage as they are supplied with UK, Euro, USA & Auz AC Heads , all Efficiency Level VI and carry worldwide safety approvals.

Specification	
Part Code	T5866ST
Input Voltage Range	90-264 Vac
Input Frequency Range	47-63Hz
Input Current Rated	0.3A Max
Input AC Heads	UK, Euro, USA & Auz
Output Voltage Rating	+5V
Output Current Range	1A
Output Min Current	0A
Output Connection Type	USB Outlet
Total Output Regulation	+/- 5%
Line and Load Regulation	+/- 5%
Ripple & Noise	300mVp-p
Efficiency	73.77%Min
Over Voltage Protection	10V maximum
Over Current Protection	1.5A maximum with auto-recovery function
Short-Circuit Protection	No damage
Operating Temperature	0°C to +40°C
Storage Temperature	-20°C to +60°C
Operating Humidity	20% to 85%
Storage Humidity	5% to 95%
Hi-Pot	3000VAC 10mA 1min
Leakage Current	0.25mA max
Safety Standard	Meets TUV-GS(EN62368-1, BS EN62368-1)
EMI Standard	Meets CE(EN55032, EN55035, EN61000-3-2, EN61000-3-3)
MTBF	50K Hours
Size mm max.	47.3 (L) x 34.8 (W) x 26.7 (H) mm
Weight	80 g

STONTRONICS

TT Electronics IoT Solutions Ltd

Tofts Farm East, Brenda Road, Hartlepool, TS25 2BQ, UK

t: +44 (0) 1429 852 500

General Note

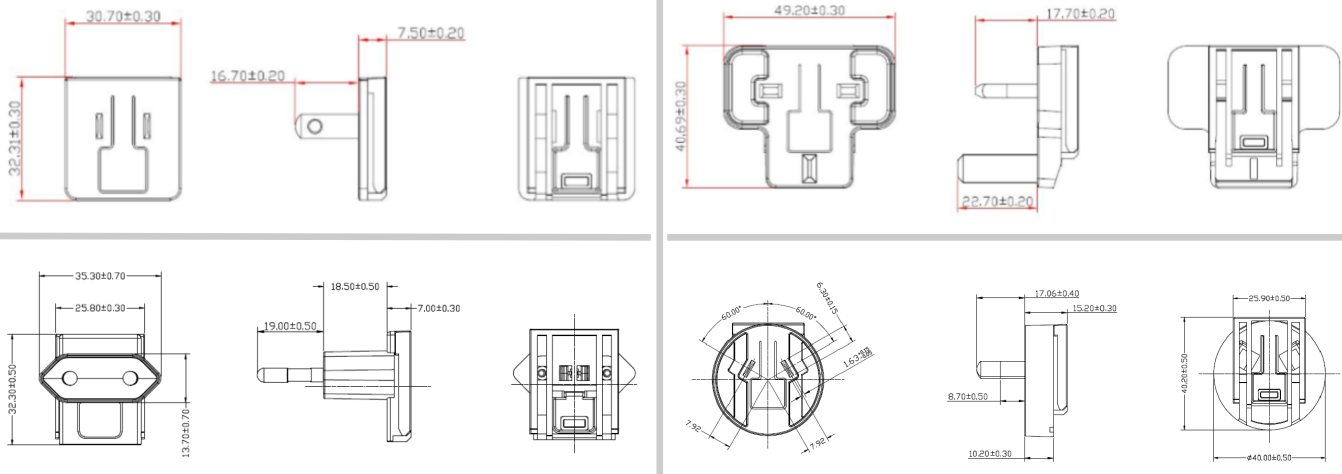
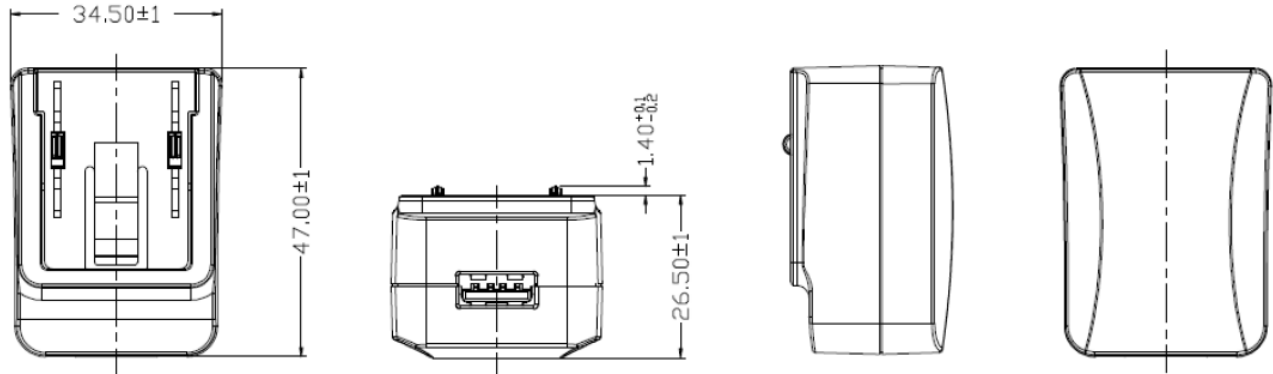
TT Electronics reserves the right to make changes in product specification without notice or liability. All information is subject to TT Electronics' own data and is considered accurate at time of going to print.

INTERCHANGEABLE WALL PLUG POWER SUPPLY 5VDC 5WATT



STONTRONICS: T5866ST

Diagrams



General Note

TT Electronics reserves the right to make changes in product specification without notice or liability. All information is subject to TT Electronics' own data and is considered accurate at time of going to print.

© TT Electronics plc

STONTRONICS

TT Electronics IoT Solutions Ltd
Tofts Farm East, Brenda Road, Hartlepool, TS25 2BQ, UK
t: +44 (0) 1429 852 500