

INTERCHANGEABLE WALL PLUG POWER SUPPLY 12VDC 6WATT



STONTRONICS: T5886ST

Features:

- Interchangeable AC Heads
- 1 Year Warranty
- Level VI Efficiency
- Worldwide Approvals
- Safety approved to: UL62368-1, EN62368-1, UKCA62368-1 (Pending)



Description:

Our range of 6 Watt Interchangeable wall plug power supplies provide 6 Watts of continuous power with the flexibility of worldwide usage as they are supplied with UK, Euro & USA AC Heads , all Efficiency Level VI and carry worldwide safety

Specification	
Part Code	T5886ST
Input Voltage Range	90-264 Vac
Input Frequency Range	47-63Hz
Input Current Rated	300mA Max
Input AC Heads	UK, Euro & USA
Output Voltage Rating	+12V
Output Current Range	0.5A
Output Min Current	0.0A
Output Connection Type	2.1x5.5x12mm centre positive – Straight
Total Output Regulation	+/-5%
Line and Load Regulation	+/-3%
Ripple & Noise	<200mVp-p
Efficiency	79.0%Min
Over Voltage Protection	Output shut down and auto restart
Over Load Protection	Output shut down and auto restart
Operating Temperature	0°C to +40°C
Storage Temperature	-10°C to +70°C
Operating Humidity	20% to 80%
Storage Humidity	10% to 90%
Hi-Pot	3000VAC 10mA 1min
Leakage Current	<0.25mA max
Safety Standard	UL/CUL, EN, CE, CB, GS, RCM, (UKCA pending)
EMI Standard	EN55022 C-TICK - AS/NZS CISPER22
MTBF	50k hours
Size mm max.	64(L) x 40.5(W) x 30(H) mm
Weight	108 g

General Note

TT Electronics reserves the right to make changes in product specification without notice or liability. All information is subject to TT Electronics' own data and is considered accurate at time of going to print.

STONTRONICS

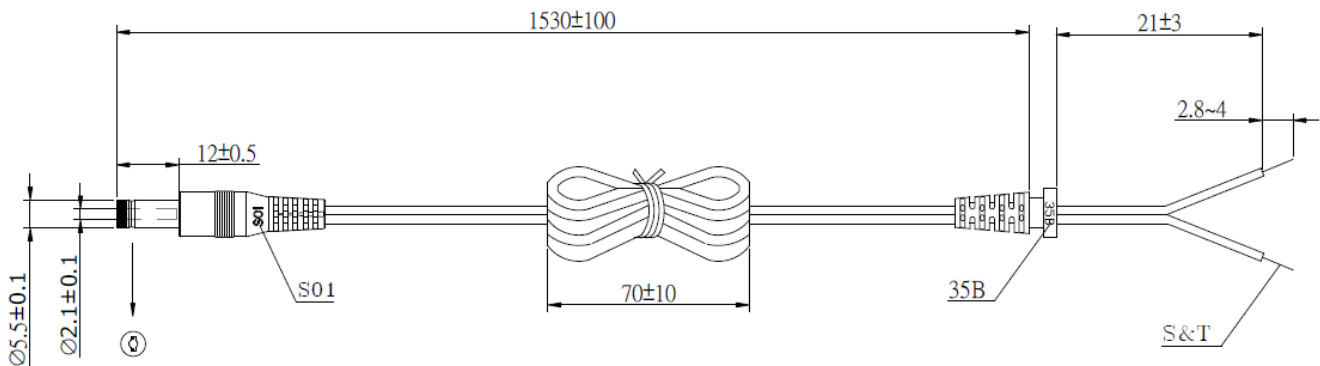
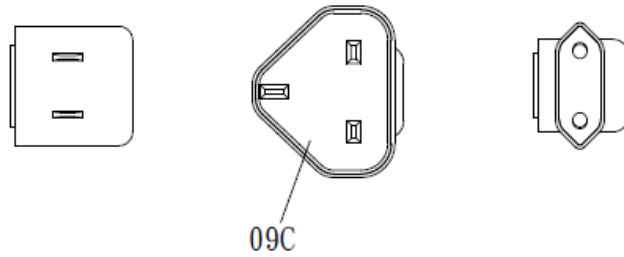
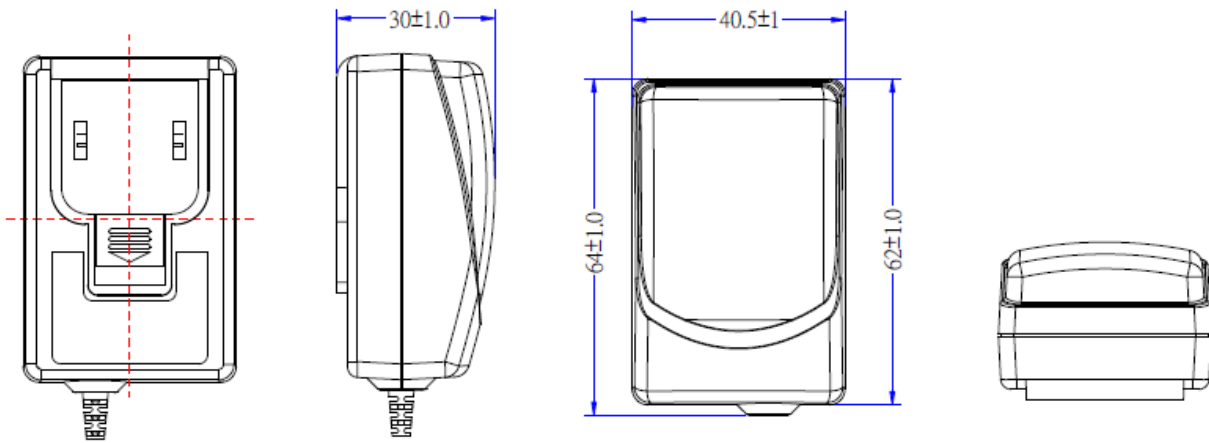
TT Electronics IoT Solutions Ltd
Tofts Farm East, Brenda Road, Hartlepool, TS25 2BQ, UK
t: +44 (0) 1429 852 500

INTERCHANGEABLE WALL PLUG POWER SUPPLY 12VDC 6WATT



STONTRONICS: T5886ST

Diagrams



Tuning fork cannellure entire insulation type

General Note
TT Electronics reserves the right to make changes in product specification without notice or liability. All information is subject to TT Electronics' own data and is considered accurate at time of going to print.

STONTRONICS

TT Electronics IoT Solutions Ltd
Tofts Farm East, Brenda Road, Hartlepool, TS25 2BQ, UK
t: +44 (0) 1429 852 500