

EXTERNAL DESKTOP POWER SUPPLY

12VDC 60WATT



STONTRONICS: T5994ST

Features:

- Universal Input
- IEC-320-C14 Input Connector
- 3 Year Warranty
- Efficiency Level VI
- Safety approved to: UL,CUL,FCC,GS,CE,RCM



Description:

Our Range of 60 Watt AC/DC switch mode power supplies provide 60 Watts of continuous output power in a high quality compact enclosure suitable for many general power applications.

| Specification | |
|-------------------------------|--|
| Part Number | T5994ST |
| Input Voltage Range | 90 → 264 Vac |
| Input Frequency Range | 47 → 63Hz |
| Input Connector | IEC 320-C14 |
| Input Current | 1.5A at 100Vac/ 60Hz – at 240Vac/ 50Hz |
| Inrush Current | 50A Max. at 115VAC cold start |
| | 100A Max. at 230VAC cold start |
| Leakage Current | 0.25mA |
| Efficiency | 88% Min |
| Input Power (Output: No Load) | <0.1W (CEC & DOE LEVEL VI Compliant) |
| Output Voltage Rating | 12 VDC |
| Output Current Range | 5A |
| Output Min Current | 0A |
| Output Connection Type | 2.1 x 5.5 x 12 mm Centre Positive - Right Angle |
| Line and Load Regulation | +/-5% |
| Over Voltage Protection | The output voltage shall be clamped by/V; at full load and no load with rated input voltage. |
| Over Current Protection | The output current is less than 10A at 230Vac. |
| Short Circuit Protection | The power supply shall have self-limiting protection. This protection can withstand a continuous output short without damaged, and auto-recovery operation after the short is removed. |
| Ripple Voltage | 150 mV (p-p) (100V-240V AC Input) |
| Hi-Pot | 1500Vac or 2121VDC 10mA 1 min |
| Safety Approved | GS,CB,CE,UL/CUL,RCM, R-MEPS (Approved to EN62368-1, BS EN62368-1) |
| EMI Standard | Approved to EN55032, EN55024, EN55035, EN61000-3-2, EN61000-3-3 |
| Operating Temperature Range | 0°C → +40°C |
| Storage Temperature | -40°C → +80°C |
| Operating Humidity | 20% to 80% |
| Storage Humidity | 20% to 98% |
| Dimensions | 118.0(L) x 51.4(W) x 34(H) mm |
| Product Weight | 272g |
| Regulator Type | Switched Mode Power Supply |

General Note

TT Electronics reserves the right to make changes in product specification without notice or liability. All information is subject to TT Electronics' own data and is considered accurate at time of going to print.

STONTRONICS

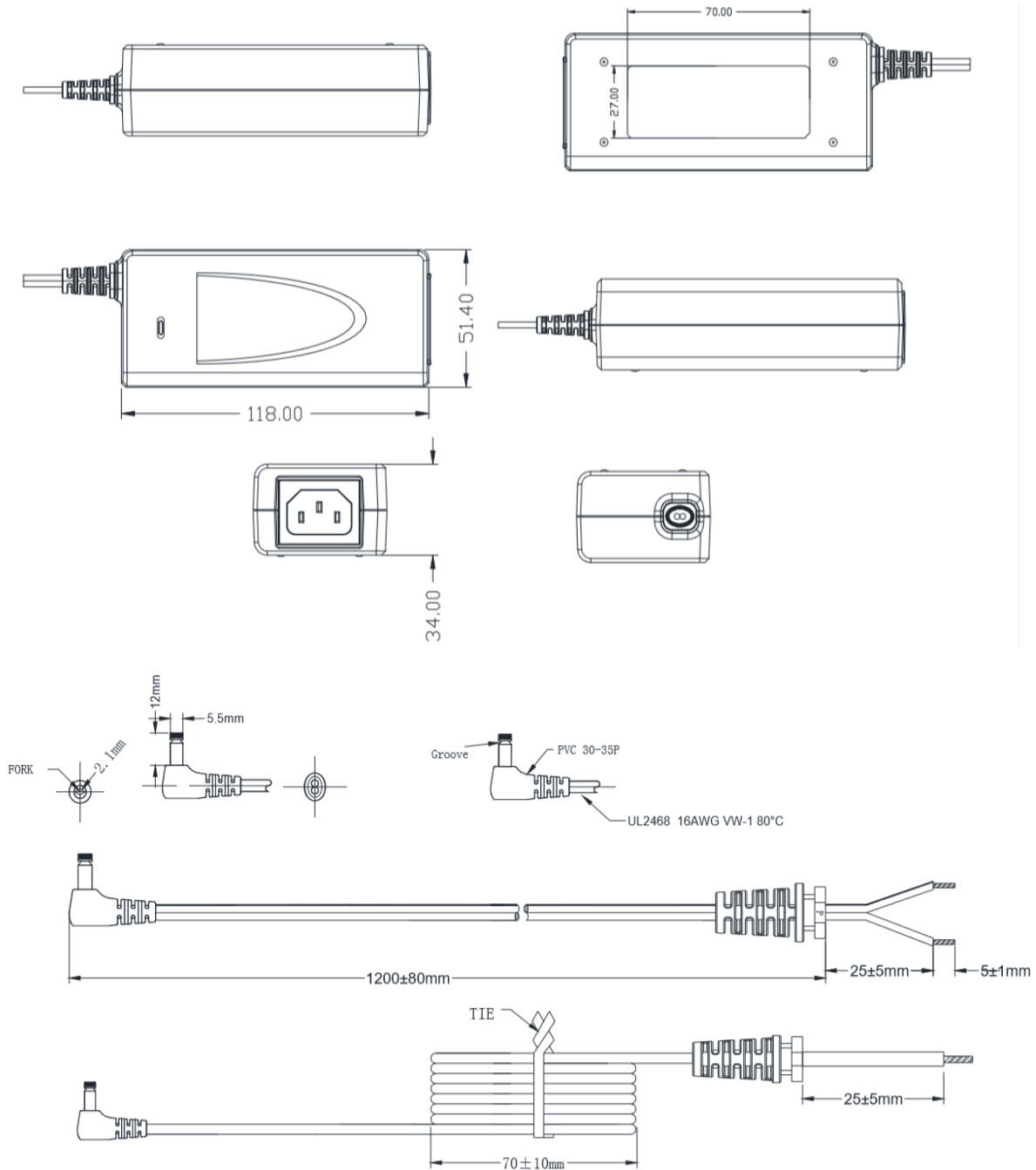
TT Electronics IoT Solutions Ltd
Tofts Farm East, Brenda Road, Hartlepool, TS25 2BQ, UK
t: +44 (0) 1429 852 500

EXTERNAL DESKTOP POWER SUPPLY 12VDC 60WATT



STONTRONICS · T5004ST

Diagrams



General Note

TT Electronics reserves the right to make changes in product specification without notice or liability. All information is subject to TT Electronics' own data and is considered accurate at time of going to print.

STONTRONICS

TT Electronics IoT Solutions Ltd
Tofts Farm East, Brenda Road, Hartlepool, TS25 2BQ, UK
t: +44 (0) 1429 852 500