

USA 2-PIN PLUG-IN POWER SUPPLY

5VDC 5WATT

STONTRONICS: T6633ST



Features:

- USA Fixed AC Head
- 1 Year Warranty
- Level VI Efficiency
- CE Approvals

Description:

Our Range of Class II 5 Watt AC/DC USA plug-in power supplies provide 5 Watts of continuous power in a compact fixed wall plug enclosure suitable for use in many general power applications.

Specification	
Part Number	T6633ST
Input Voltage Range	90-264 Vac
Input Frequency Range	47-63Hz
Input Current Rated	0.2A Max
Output Voltage Rating	+5V
Output Current Range	1A
Output Min Current	0A
Output Connection Type	2.1x5.5x12mm centre positive – Straight angle
Total Output Regulation	+/- 5%
Line and Load Regulation	+/- 5%
Ripple & Noise	300mVp-p
Efficiency	73.77%Min
Over Voltage Protection	6.5Vdc maximum
Over Current Protection	1.1-1.8 A maximum with auto-recovery function
Short-Circuit Protection	The adapter shall not be damaged by short the DC output to Ground.
Operating Temperature	0°C to +50°C
Storage Temperature	-20°C to +60°C
Operating Humidity	20% to 85%
Storage Humidity	5% to 95%
Hi-Pot	3000Vac 10mA 1min
Leakage Current	0.25mA max
Safety Standard	Designed to meet UL/CUL(UL60950-1)
EMI Standard	Designed to meet FCC(PART15.CLASSB)
MTBF	50K Hours
Size mm max.	67.5 (L) x 26.41 (W) x 52.3(H)
Weight	58g±15%

General Note

TT Electronics reserves the right to make changes in product specification without notice or liability. All information is subject to TT Electronics' own data and is considered accurate at time of going to print.

STONTRONICS

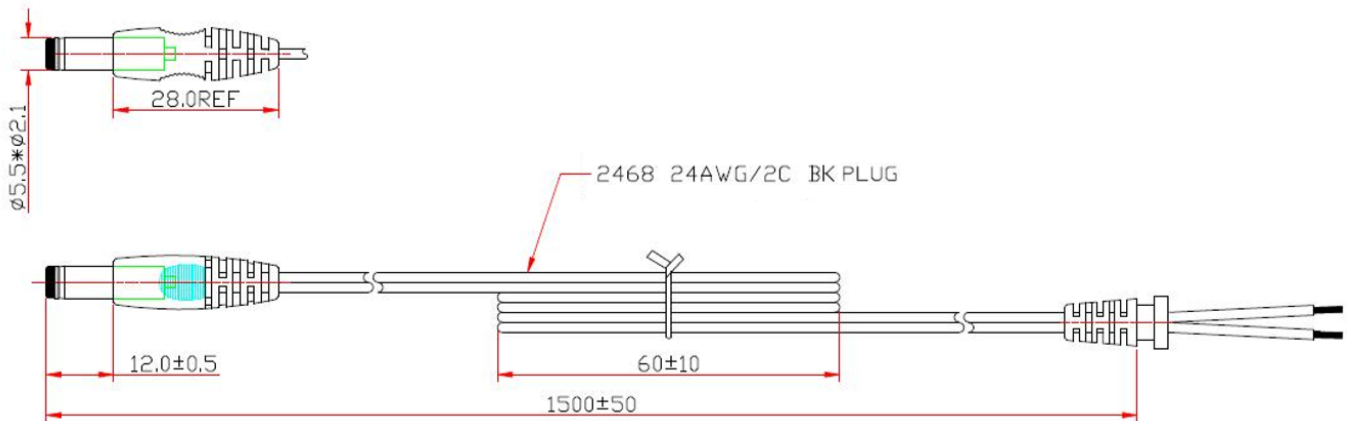
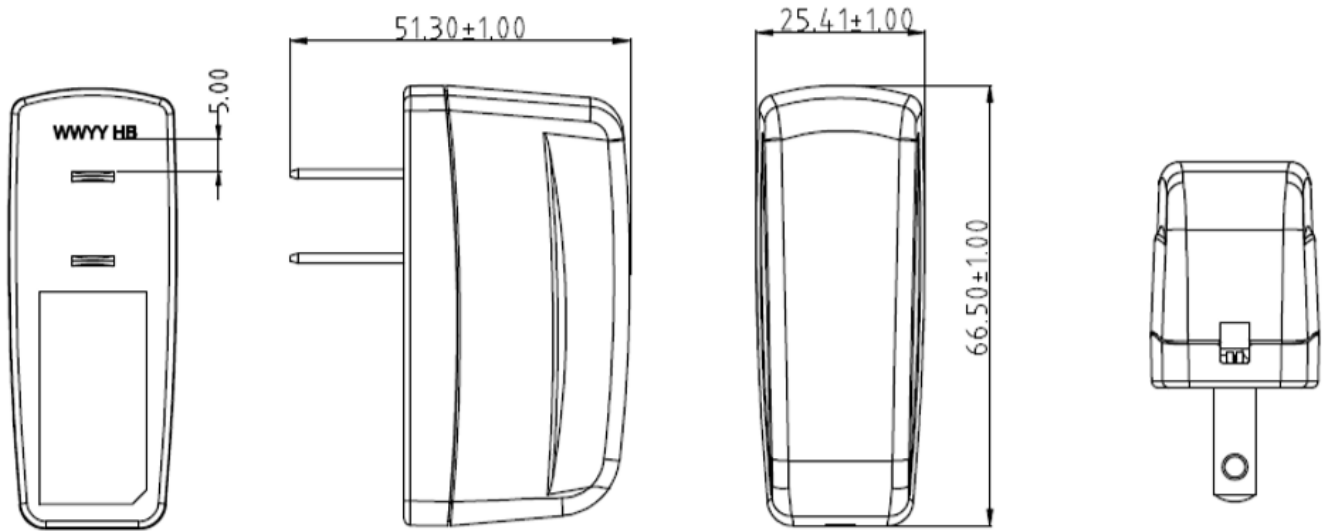
TT Electronics IoT Solutions Ltd
Tofts Farm East, Brenda Road, Hartlepool, TS25 2BQ, UK
t: +44 (0) 1429 852 500

USA 2-PIN PLUG-IN POWER SUPPLY

5VDC 5WATT

STONTRONICS: T6633ST

Diagrams



General Note

TT Electronics reserves the right to make changes in product specification without notice or liability. All information is subject to TT Electronics' own data and is considered accurate at time of going to print.

STONTRONICS

TT Electronics IoT Solutions Ltd
Tofts Farm East, Brenda Road, Hartlepool, TS25 2BQ, UK
t: +44 (0) 1429 852 500