

USA 2-PIN POWER SUPPLY

5VDC 12.5WATT

STONTRONICS: T6634ST



Features:

- USA Fixed AC Head
- 1 Year Warranty
- Level VI Efficiency
- Worldwide Approvals

Description:

Our Range of Class II 12.5 Watt AC/DC USA plug-in power supplies provide 12.5 Watts of continuous power in a compact fixed wall plug enclosure suitable for use in many general power applications.

Specification	
Part Code	T6634ST
Input Voltage Range	90-264 Vac
Input Frequency Range	47-63Hz
Input Current Rated	0.2A Max
Output Voltage Rating	+5V
Output Current Range	2.5A
Output Min Current	0A
Output Connection Type	2.1x5.5x12mm centre positive – Straight
Total Output Regulation	+/- 5%
Line and Load Regulation	+/- 2%
Ripple & Noise	300mVp-p
Efficiency	79.03%Min
Over Voltage Protection	Auto-recovery
Over Load Protection	Auto-recovery
Operating Temperature	0°C to +50°C
Storage Temperature	-20°C to +60°C
Operating Humidity	20% to 85%
Storage Humidity	5% to 95%
Hi-Pot	3000VAC 10mA 1min
Leakage Current	0.25mA max
Safety Standard	UL
EMI Standard	FCC
MTBF	50K Hours
Size mm max.	70(L) x 29(W) x 62(H)
Weight	70 g

General Note

TT Electronics reserves the right to make changes in product specification without notice or liability. All information is subject to TT Electronics' own data and is considered accurate at time of going to print.

STONTRONICS

TT Electronics IoT Solutions Ltd
Tofts Farm East, Brenda Road, Hartlepool, TS25 2BQ, UK
t: +44 (0) 1429 852 500

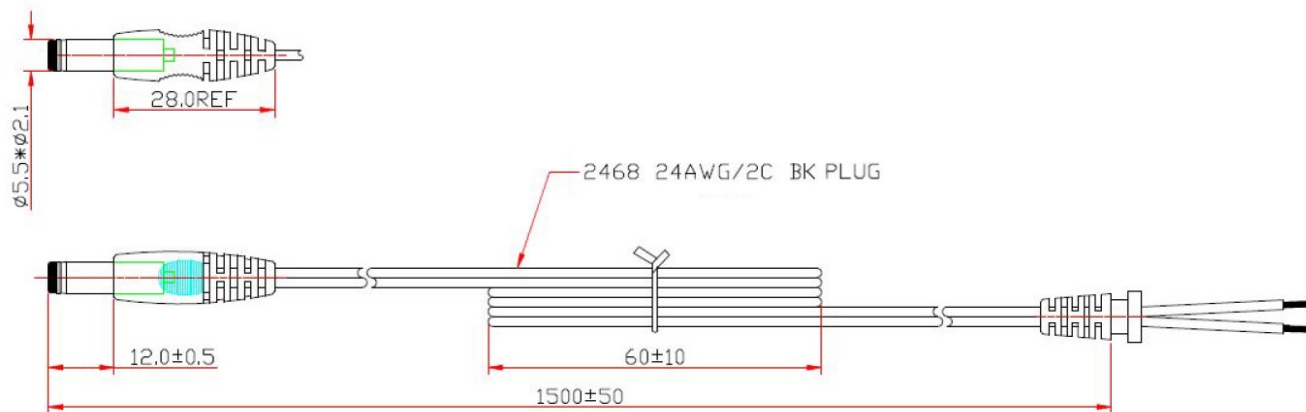
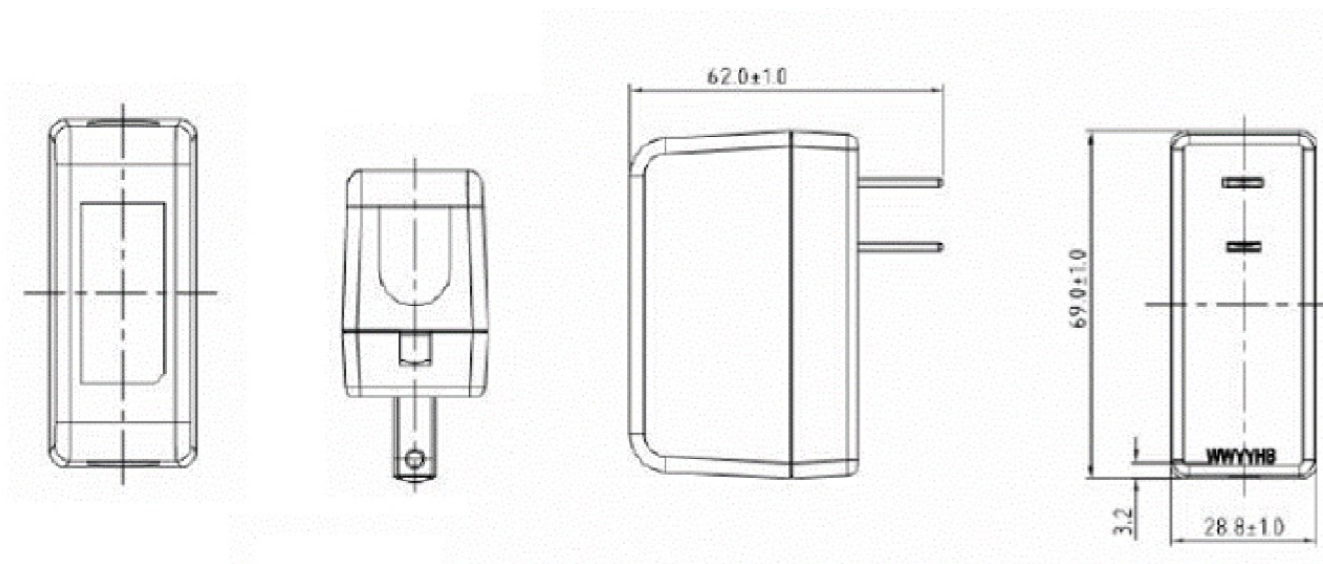
USA 2-PIN POWER SUPPLY

5VDC 12.5WATT

STONTRONICS: T6634ST



Diagrams



General Note
TT Electronics reserves the right to make changes in product specification without notice or liability. All information is subject to TT Electronics' own data and is considered accurate at time of going to print.

© TT Electronics plc

STONTRONICS

TT Electronics IoT Solutions Ltd
Tofts Farm East, Brenda Road, Hartlepool, TS25 2BQ, UK
t: +44 (0) 1429 852 500

ISS.3 22/06/2020 Page: 2