

USA 2-PIN PLUG-IN POWER SUPPLY 12VDC 12WATT

STONTRONICS: T6639ST



Features:

- USA Fixed AC Head
- 1 Year Warranty
- Level VI Efficiency
- CE Approved

Description:

Our Range of Class II 12 Watt AC/DC USA plug-in power supplies provide 12 Watts of continuous power in a compact fixed wall plug enclosure suitable for use in many general power applications.

Specification	
Part Number	T6639ST
Input Voltage Range	90-264Vac
Input Frequency Range	47-63Hz
Input Current Rated	0.5A Max
Output Voltage Rating	+12V
Output Current Range	1A
Output Min Current	0A
Output Connection Type	5.5x2.1x12mm Centre Positive –Straight Angle
Total Output Regulation	11.4-12.6V
Line and Load Regulation	+/- 5%
Ripple & Noise	200mVp-p
Efficiency	83.26% Min
Over Voltage Protection	25VDC maximum
Over Load Protection	2.5A maximum with auto-recovery function
Short Circuit Protection	Short circuit protection is to be included in the construction of the adaptor. The adaptor is designed to withstand continuous current of a short circuit on the output. The adaptor will be short circuit tolerant for an indefinite period.
Operating Temperature	0°C to +40°C
Storage Temperature	-20°C to +60°C
Operating Humidity	20% to 85%
Storage Humidity	5% to 95%
Hi-Pot	3000Vac 10mA 1min
Safety Standard	UL60950-1
EMI Standard	FCC(PART 15 Class B)
MTBF	50K Hours
Size mm max.	70 (L) x 29.8 (W) x 58.3(H)
Weight	84g +/- 15%
Regulator Type	Switching Type Power Adaptor

STONTRONICS

TT Electronics IoT Solutions Ltd

Tofts Farm East, Brenda Road, Hartlepool, TS25 2BQ, UK

t: +44 (0) 1429 852 500

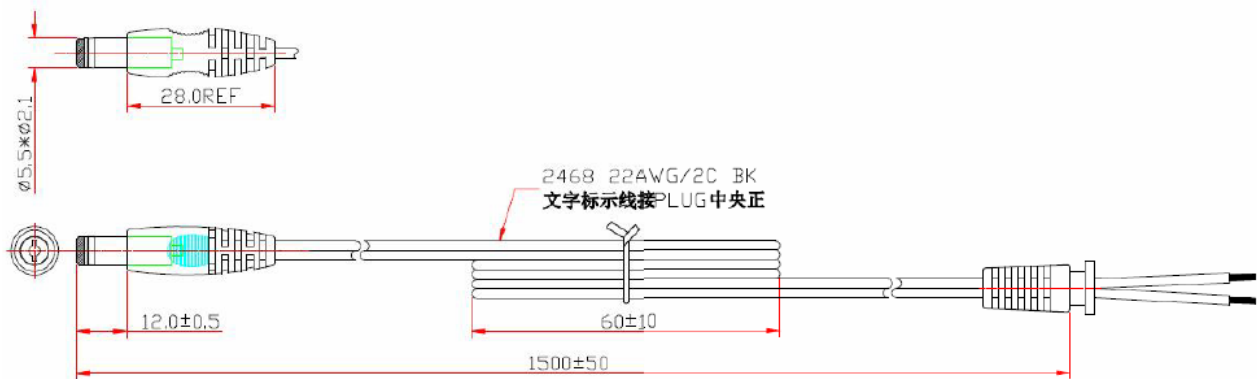
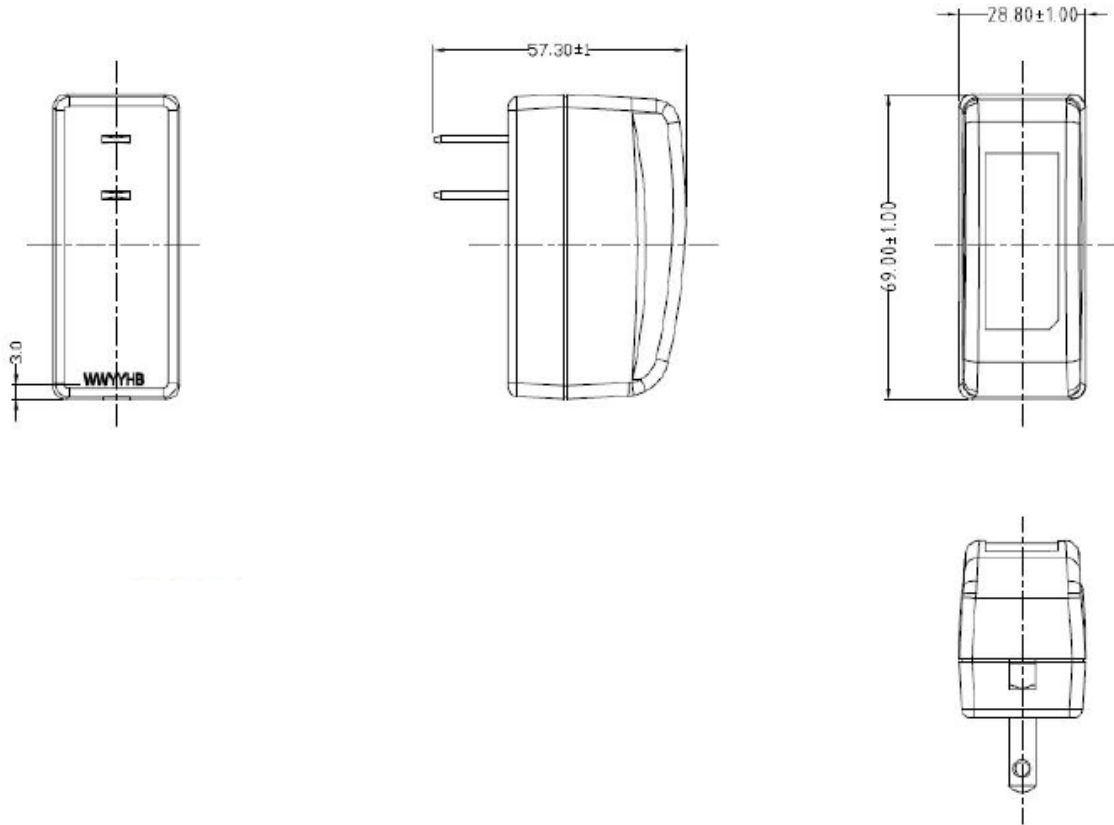
General Note

TT Electronics reserves the right to make changes in product specification without notice or liability. All information is subject to TT Electronics' own data and is considered accurate at time of going to print.

USA 2-PIN PLUG-IN POWER SUPPLY 12VDC 12WATT STONTRONICS: T6639ST



Diagrams



General Note

TT Electronics reserves the right to make changes in product specification without notice or liability. All information is subject to TT Electronics' own data and is considered accurate at time of going to print.

STONTRONICS

TT Electronics IoT Solutions Ltd
Tofts Farm East, Brenda Road, Hartlepool, TS25 2BQ, UK
t: +44 (0) 1429 852 500